

LOWER TREADMILL COMPONENTS
SEE PAGES 2 THRU 5

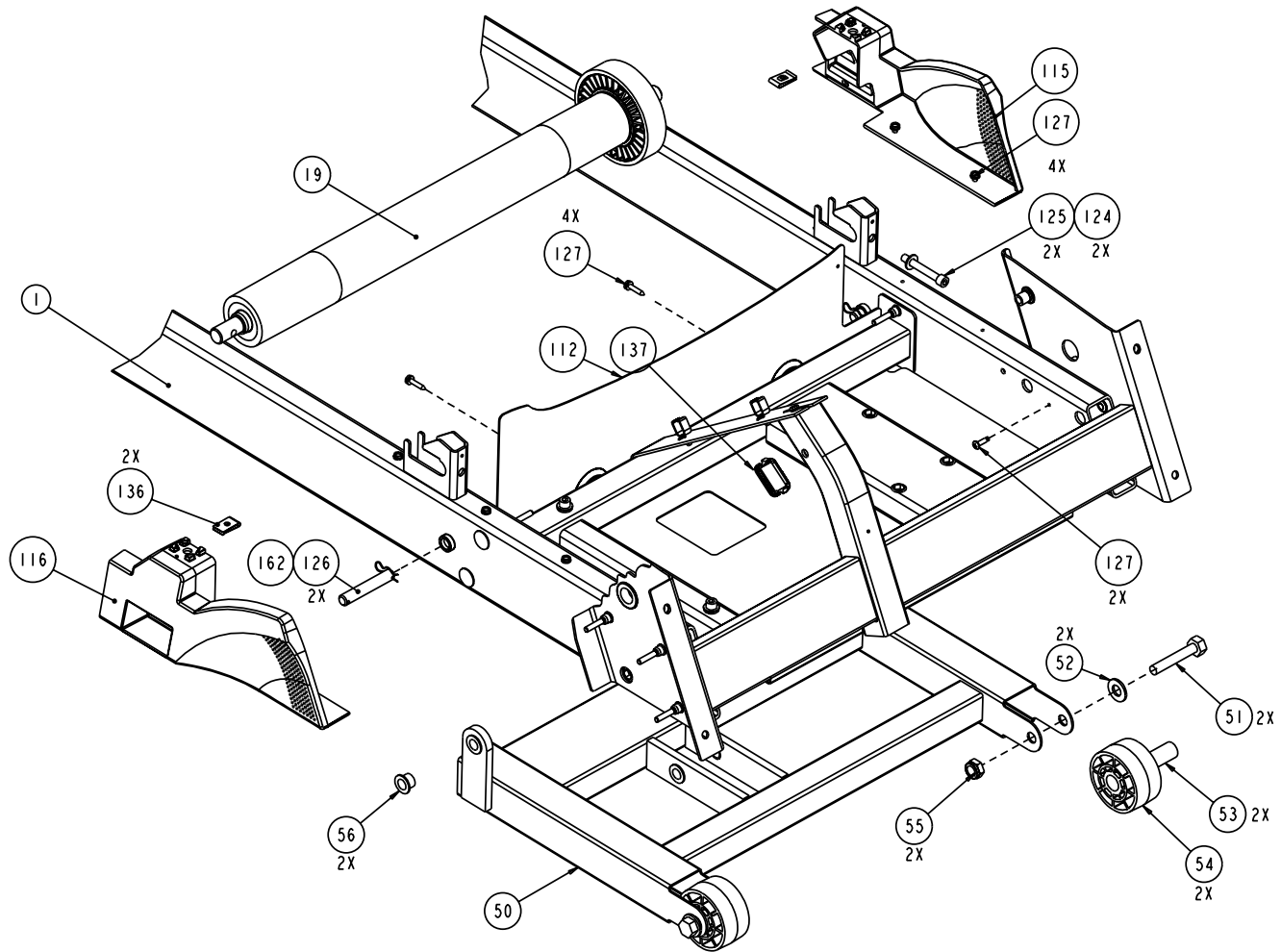
DISPLAY/CONSOLE COMPONENTS
SEE PAGE 6

TARGAS AND HANDRAILS
SEE PAGE 7

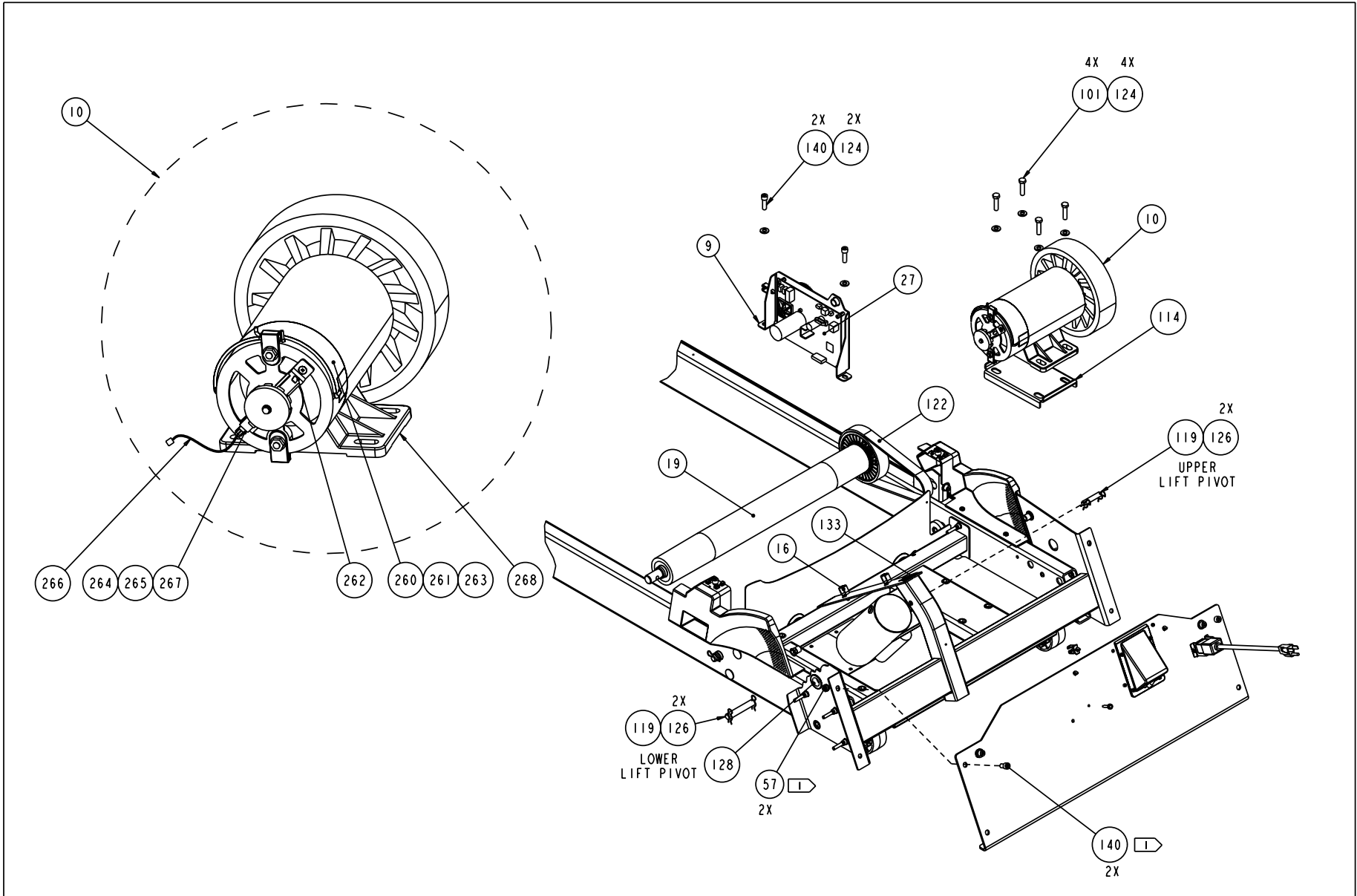
NOTES:

 FOR SHIPPING ONLY.

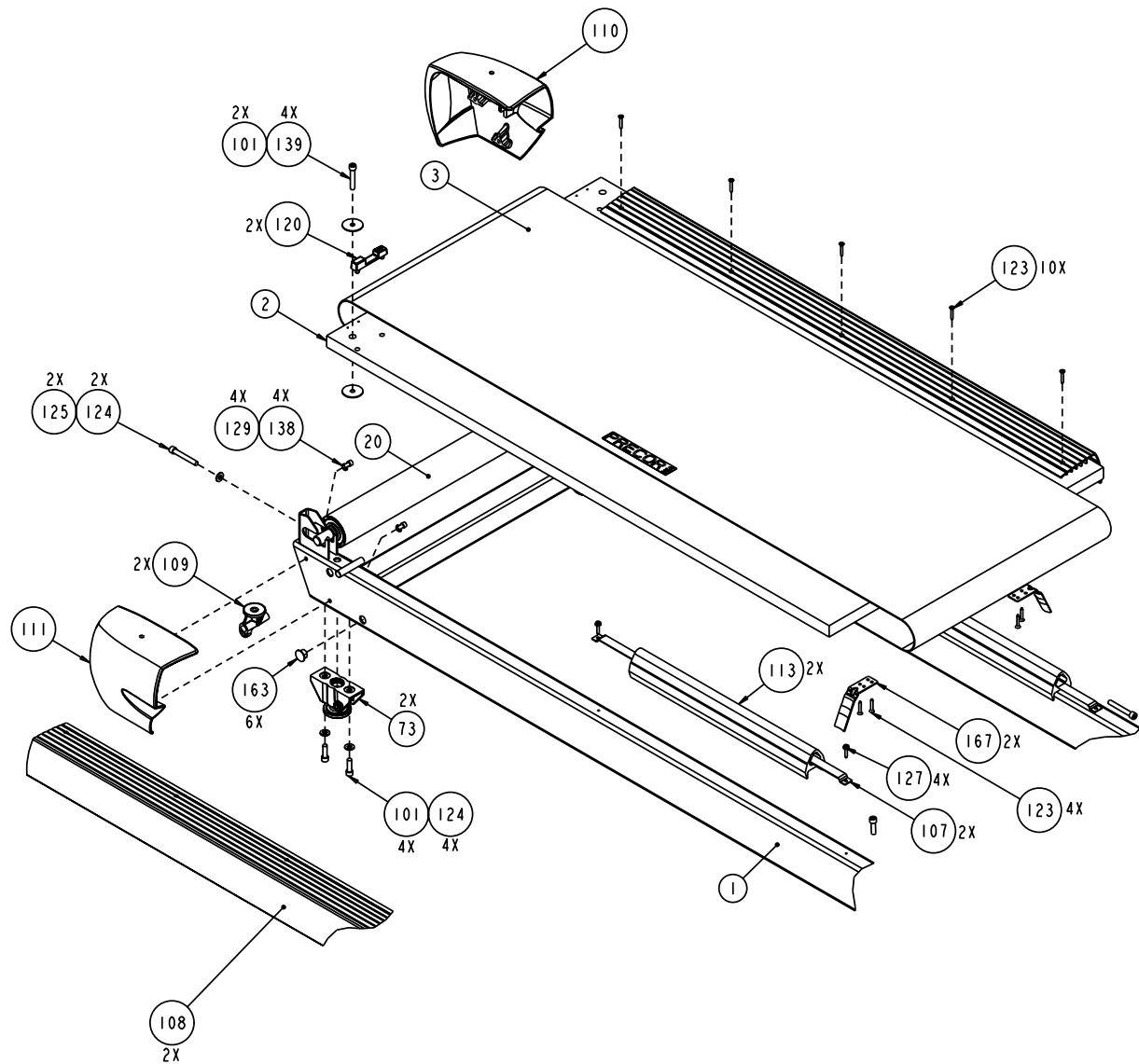
M9.31	P/N 48127-101	REV: J
DRAWN BY: GRANADOSIN	DATE: 12.09.05	SHEET 1 OF 7



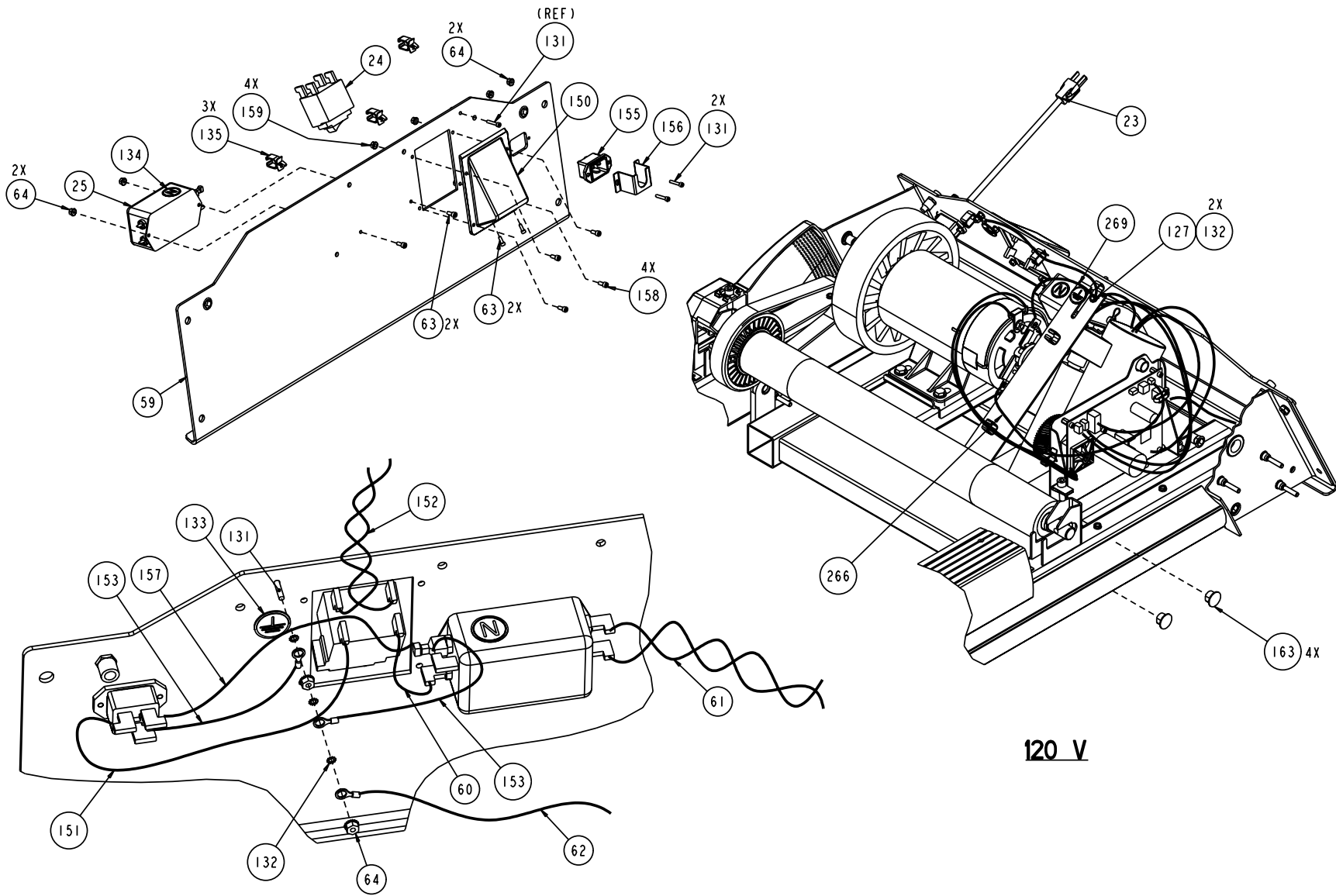
M9.31	P/N 48127-101	REV: J
DRAWN BY: GRANADOSIN	DATE: 12.09.05	SHEET 2 OF 7



M9.31	P/N 48127-101	REV: J
DRAWN BY: GRANADOSIN	DATE: 12.09.05	SHEET 3 OF 7

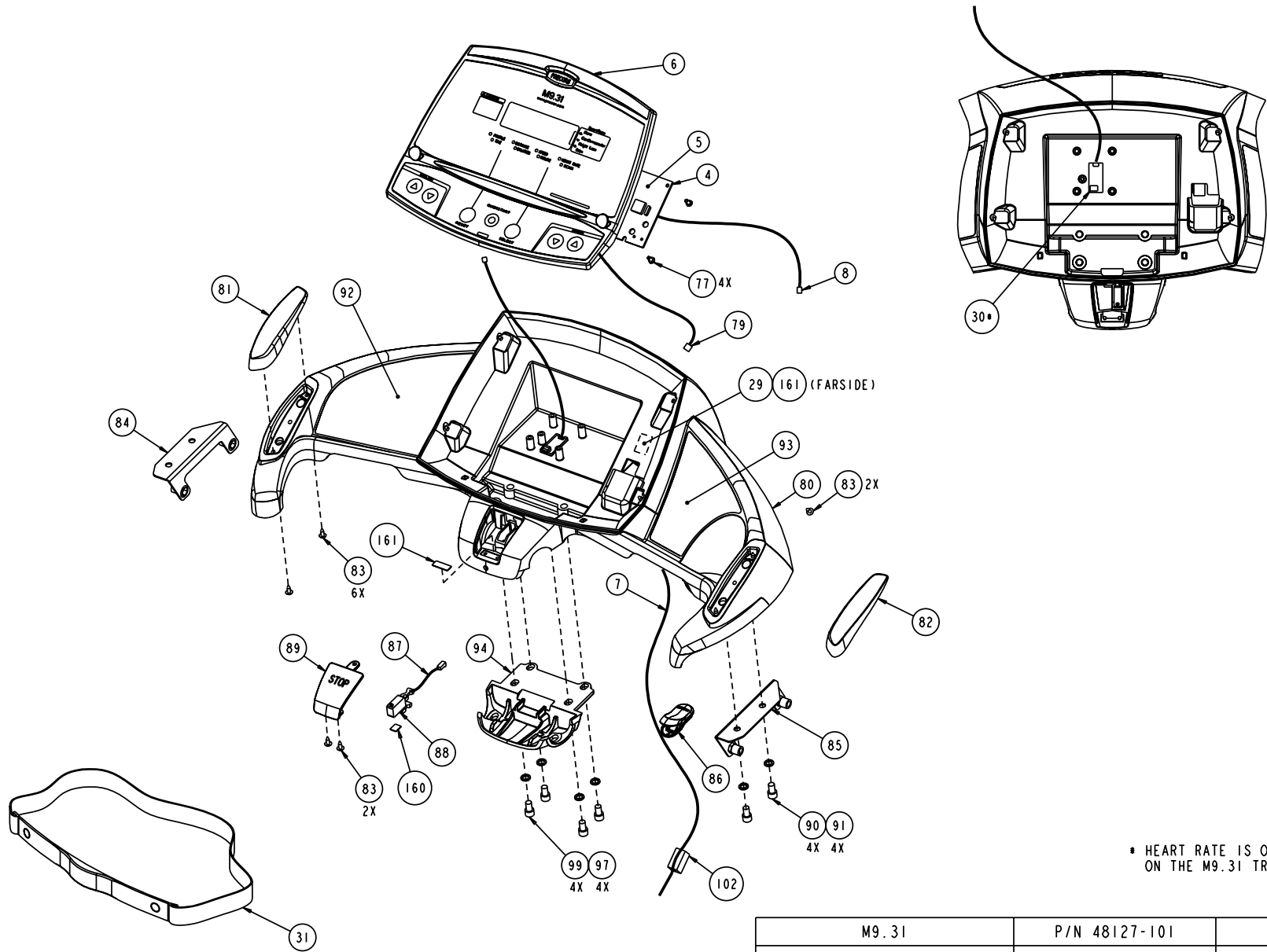


M9.31	P/N 48127-101	REV: J
DRAWN BY: GRANADOSIN	DATE: 12.09.05	SHEET 4 OF 7



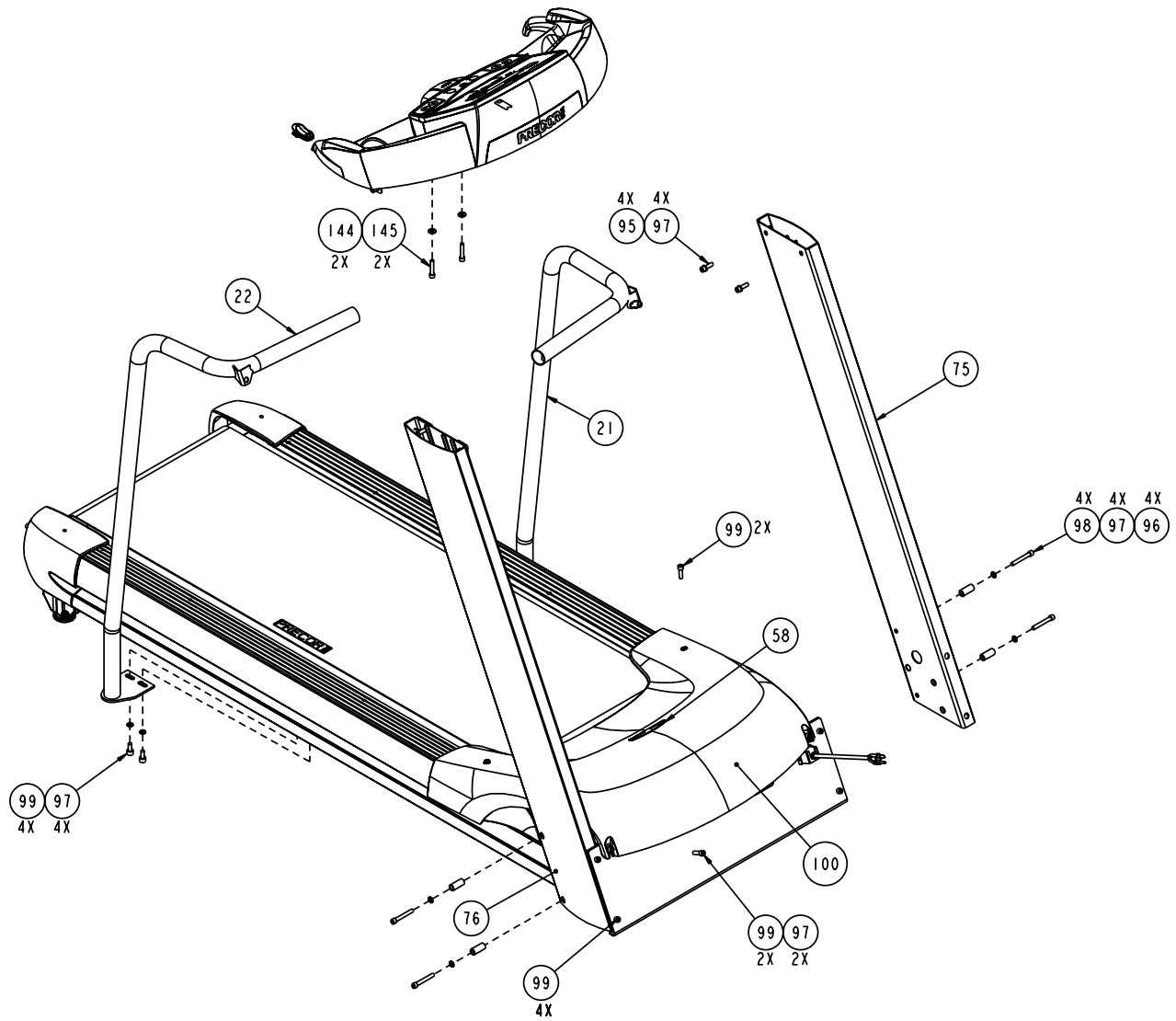
WIRING DETAIL
 SOME DETAIL REMOVED FOR CLARITY

M9.31	P/N 48127-101	REV: J
DRAWN BY: GRANADOSIN	DATE: 12.09.05	SHEET 5 OF 7



* HEART RATE IS OPTIONAL ON THE M9.31 TREADMILL.

M9.31	P/N 48127-101	REV: J
DRAWN BY: GRANADOSIN	DATE: 12.09.05	SHEET 6 OF 7



M9.31	P/N 48127-101	REV: J
DRAWN BY: GRANADOSIN	DATE: 12.09.05	SHEET 7 OF 7

Bubble #	OEM Number	Description
2	PPP000000059093101	DECK WITH SHIPPER KIT
3	PPP000000036355123	RUNNING BELT, SIEGLING, 120 X 20
4	PPP000000048236103	ASSY,PCA&SW,M9.31,TD,UPR
7	PPP000000044905084	ASSY,CBL,MOD,8P8C,1-1,SILVER,84 in.
8	PPP000000044905012	ASSY,CBL,MOD,8P8C,1-1,SILVER,12 in.
16	PPP000000013537103	LIFT ACTUATOR, 120 VAC
24	PPP000000010435101	CKT BRKR,250V,20A,MAGNETIC,ROCKER,2
25	PPP000000011224102	FILTER,PWR LINE,250VAC,16A
29	PPP000000011415102	COUPLER,MOD,8P8C,INLINE,SNAP-IN
30	PPP000000049725101	RECEIVER, WIRELESS, HEART RATE, HIG
31	PPP000000038819103	TRANSMITTER, POLAR T34, HEARTRATE,W
50	PPP000000045904101	LIFT PLATFORM, W/BUSHINGS, 9.3X, C9
51	PPP00000HCTN050250	SCREW,HEX,GR 5,1/2-13X2-1/2,BLK SHA
52	PPP00000WBZN050008	WASHER, FLAT,1/2,.086 BLK CVS
53	PPP000000036192101	BUSHING, SPANNER
54	PPP000000044270101	WHEEL, LIFT
55	PPP00000KACN050019	NUT,LOCK,HALF,1/2-13,NYLON INSERT,S
56	PPP000000010043113	BEARING,FLANGE,OD=.62 ID=.5
57	PPP00000KMCN031023	NUT, HEX, 5/16-18, ZINC
64	PPP00000KGCN013011	LOCKNUT, STARWASHER 6-32, #6
75	PPP000000044017103	ASSEMBLY, TARGA, LEFT
76	PPP000000044017104	ASSEMBLY, TARGA, RIGHT
77	PPP00000MGCN016038	SCREW,MCH,8-32X3/8,PANHD,PHIL,
83	PPP00000PGTN016050	SCREW,S/T,#8X1/2,TRS,PHIL,BLK SHARP
84	PPP000000044026103	ASSY, MOUNTING BRACKET, LEFT, STONE
85	PPP000000044026104	ASSY, MOUNTING BRACKET, RIGHT, STON
88	PPP000000012259102	SWITCH,MICRO,PLUNGER,SPNC
91	PPP00000WEGN031007	WASHER, FLT, 5/16X.688X.065,SS, BLK
97	PPP00000WPNN033005	WASHER,FLAT,5/16,SSTL
102	PPP000000012153101	FERRITE,CLAMP-ON,RND CABLE,28 MATL
118	PPP000000044109103	PIN, LIFT PIVOT, 3.38
122	PPP000000010214101	BELT, DRIVE, 280J10 POLY V, TEM
123	PPP00000DCTN019100	SCREW,WOOD #10X1, L=1.00,BLK SHARPE
124	PPP00000WBCN031007	WASHER,FLT,5/16X.688X.065, ZN
126	PPP000000010400103	PIN, HITCH, .093 DIA, ZINC, #203
127	PPP00000PKCN019075	SCREW,S/T,#10X.75,WSHXXHD,ZN
128	PPP000000010178107	BUSHING, SNAP
129	PPP00000CATN025050	SCREW,SKHD,1/4-20X0.50,BLK SHARPERI
132	PPP00000WAMCN019002	WASHER, LOCK, EXT TOOTH, #10
133	PPP000000033984101	LABEL, SAFETY, GROUND SYMBOL
134	PPP000000037436101	LABEL, CHASIS NEUTRAL
135	PPP000000011278101	CABLE CLAMP,INSERT
138	PPP00000WALCN025006	WASHER, SPLIT LOCK, 1/4 MED,
139	PPP00000WABCN031006	WASHER, FEN, 5/16, ID=.331,
140	PPP00000CATN031100	SHCS,5/16-18 X 1.00,STL,BLK SHRP
144	PPP00000CCNN031125	SHCS,5/16-18 X 1.25,SSTL

145	PPP00000WBCN031007	WASHER,FLT,5/16X.688X.065, ZN
151	PPP000000044528010	CBL,1C,14AWG,250X032 QD RECP FLAG(X
153	PPP000000044534008	ASSY,CBL,1COND,14AWG,QK DISC,8 in.
155	PPP000000045381101	IEC 16/20A POWER CORD INLET
158	PPP00000CATE016038	SCREW,SKHD, #8-32 X 3/8,BLK SHARPER
159	PPP00000KGCN016013	LOCKNUT, STARWASHER 8-32, HEX
167	PPP000000042452102	BELT TRACKER
200	PPP000000044135104	HARDWARE KIT, 9.3X
209	PPP000000044165105	LABEL, WIRING DIAGRAM
210	PPP000000059054101	9.3X, C93X ENDCAP REPLACEMENTKIT
211	PPP000000059060101	9.3X BELT TRACKER KIT
260	PPP000000020002114	BRUSH W/ LEAD ASSY, RED, MCMILLAN S
261	PPP000000020002115	BRUSH W/ LEAD ASSY, BLACK, MCMILLAN
262	PPP000000020111101	GROUND BRUSH ASSY, MCMILLAN S3456B3
263	PPP000000020112101	BRUSH COVER, MCMILLAN S3456B3329
264	PPP000000020113101	SENSOR, TACHOMETER, MCMILLAN
265	PPP000000020114101	INTERRUPTER, 10 TOOTH, TACHOMETER,
266	PPP000000020115101	CABLE, TACHOMETER, MCMILLAN
267	PPP000000020116101	BRACKET, TACHOMETER SENSOR, MCMILLA
268	PPP000000020117101	BASE, MOTOR, MCMILLAN
269	PPP000000020118101	GROUND WIRE, 7.5 INCH, MCMILLAN
800	PPP000000048039101	ASSEMBLY, CONSOLE, M9.31,TD, STONE
900	PPP000000011277111	RIVNUT, INSERT, LG DIA,5/16X18